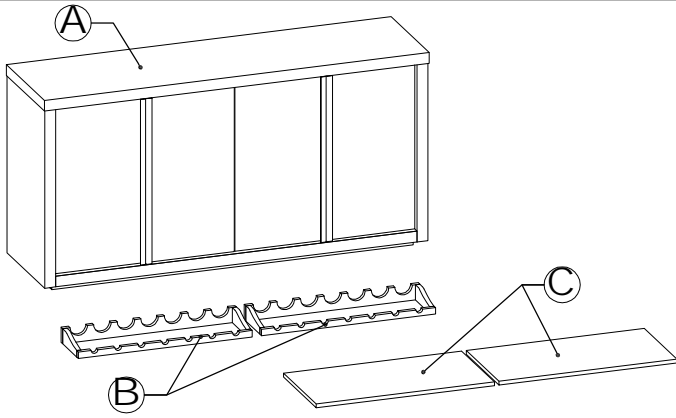


ASSEMBLY INSTRUCTIONS CHASM SIDEBOARD



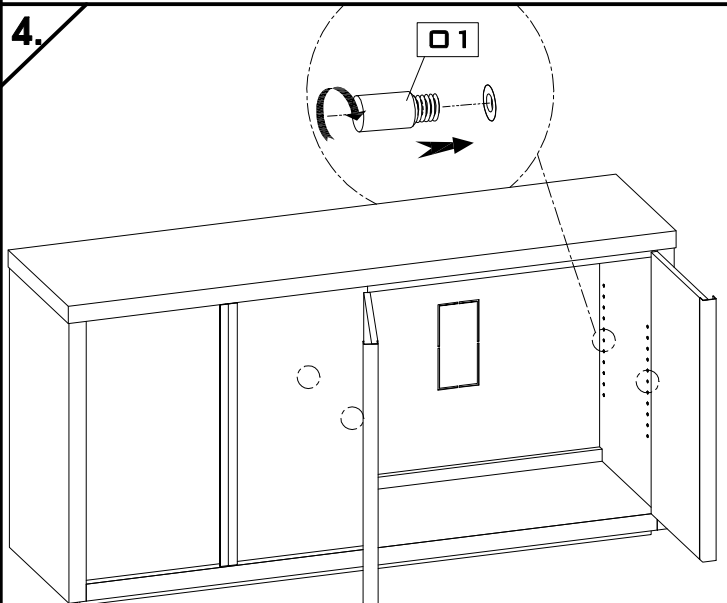
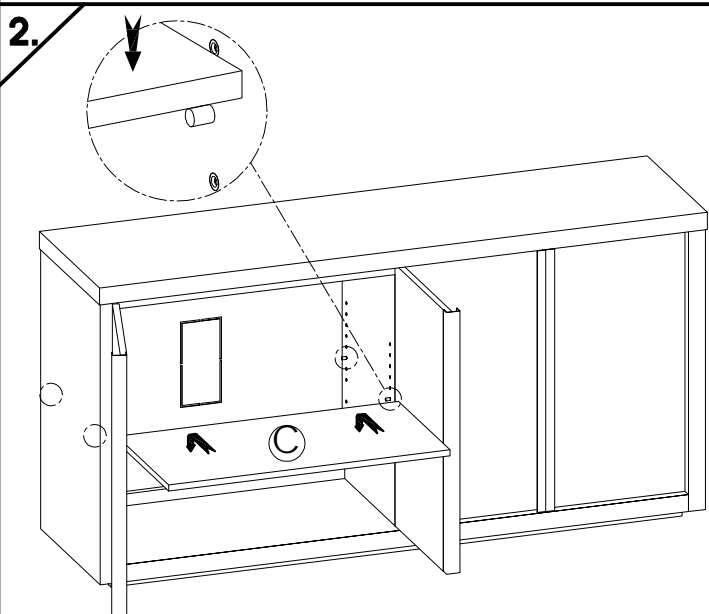
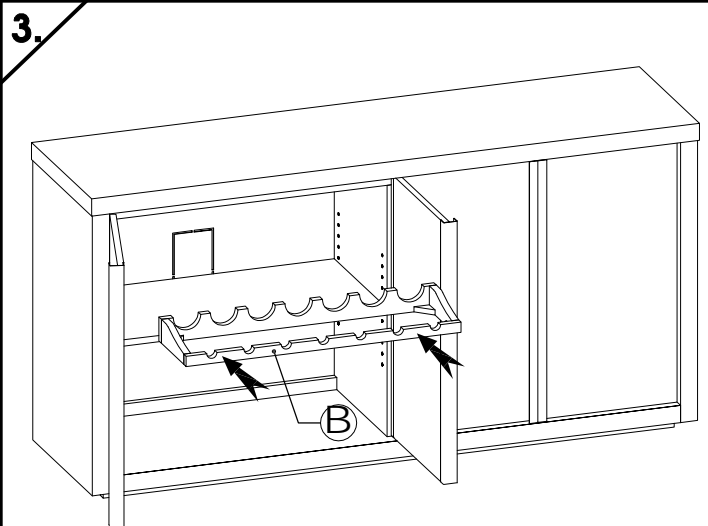
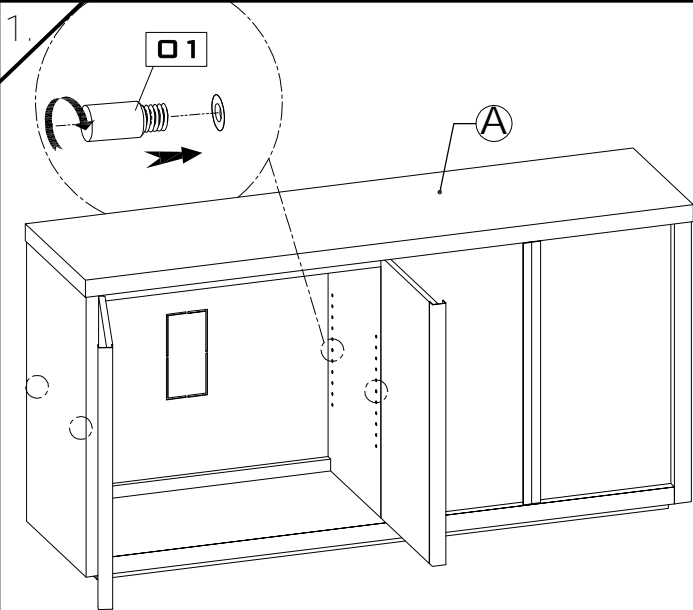
PARTS CHECK LIST

CODE	COMPONENTS	QTY
Ⓐ	BODY	x01
Ⓑ	WINE RACK	x02
Ⓒ	SHELF PANEL	x02

HARDWARE CHECK LIST

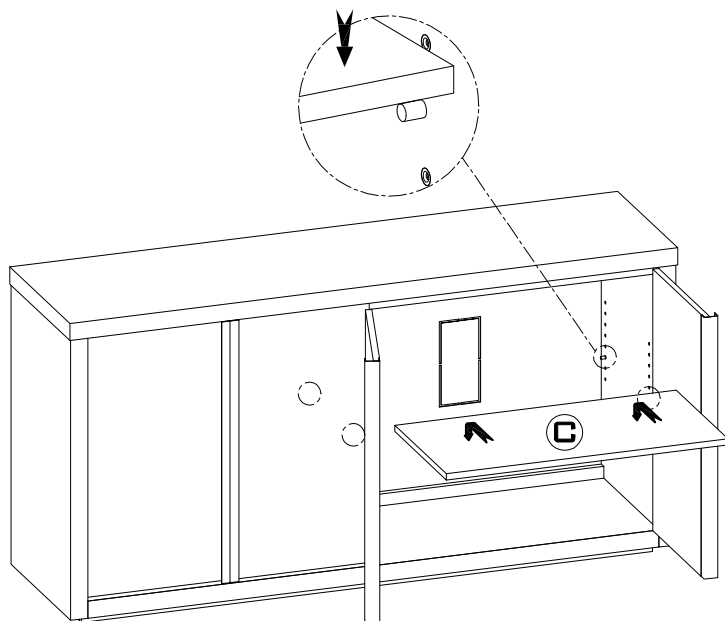
CODE	DESCRIPTION	QTY
01	Shel f Pin 	x08

- PLEASE DO NOT DISCARD ANY OF THE PACKAGING UNTIL YOU HAVE CHECKED ALL THE PARTS AND THE PACKS OF HARDWARE.
- BEFORE YOU BEGIN TO ASSEMBLE YOUR NEW PIECE OF FURNITURE, PLEASE CHECK TO ENSURE THAT ALL PARTS HAVE BEEN SUPPLIED.
- FOLLOW INSTRUCTIONS CLOSELY AS DEVIATION FROM THEM MAY VOID YOUR WARRANTY AND PRESENT A POSSIBLE SAFETY RISK.
- IT IS RECOMMENDED THAT ASSEMBLY IS DONE ON A SOFT SURFACE LIKE CARPET TO AVOID ANY DAMAGE.
- PERIODICALLY CHECK AND RE-TIGHTEN ANY FASTENERS. WIPE DOWN ALL SURFACES WEEKLY WITH A CLEAN CLOTH. DO NOT CLEAN ANY SURFACES WITH HARSH ABRASIVES OR CHEMICALS.

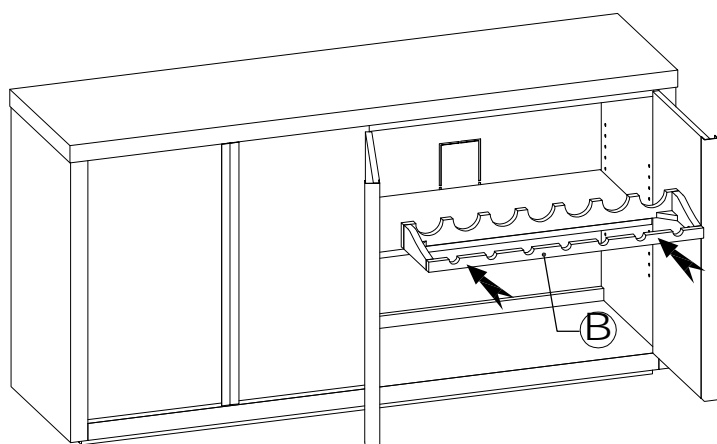


ASSEMBLY INSTRUCTIONS CHASM SIDEBOARD

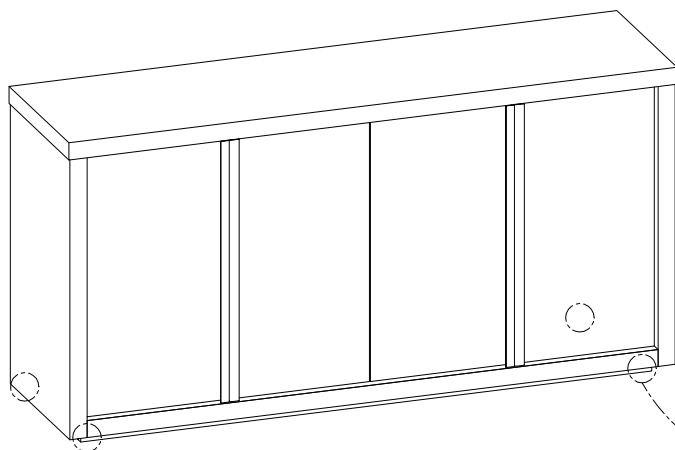
5.



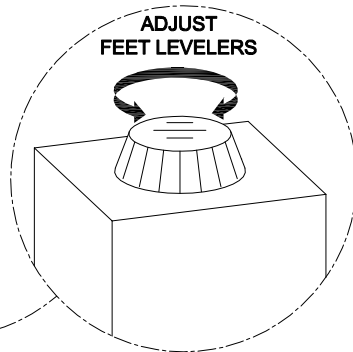
6.



7.

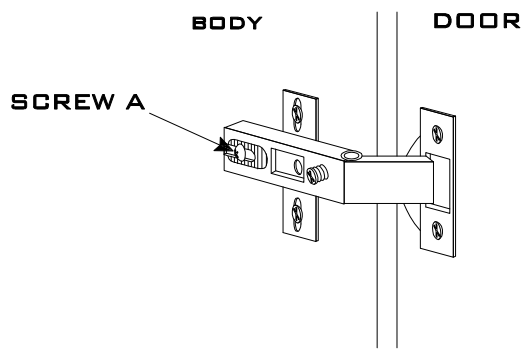
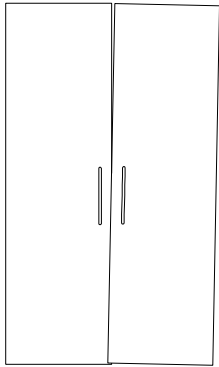


ADJUST
FEET LEVELERS



HINGE ADJUSTMENT INSTRUCTIONS

LATERAL MOVEMENT



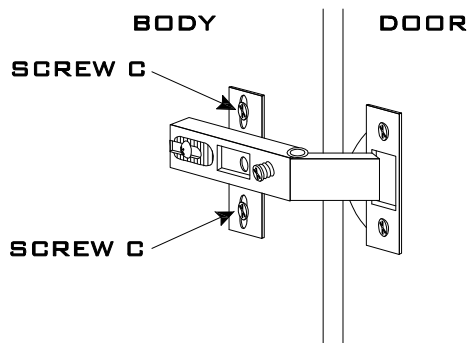
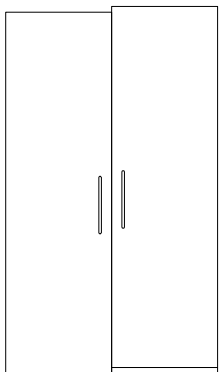
WHAT IT LOOKS LIKE

- THE RIGHT AND LEFT SIDES OF THE DOOR WILL NOT BE FLUSH WITH THE SIDE PANEL.

HOW TO FIX IT

- TO MOVE THE DOOR TOWARDS OR AWAY FROM THE CENTRE OF THE UNIT, LOOSEN SCREW "A". ADJUST THE DOOR AND THEN TIGHTEN SCREW "A".

VERTICAL MOVEMENT



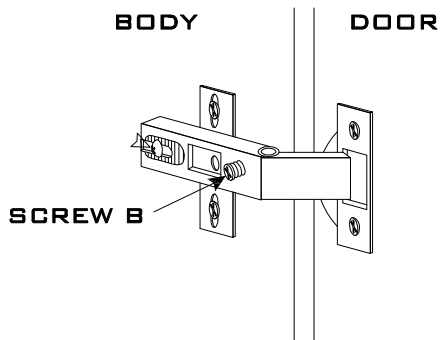
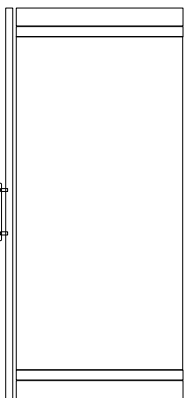
WHAT IT LOOKS LIKE

- THE TOP AND BOTTOM OF THE DOOR WILL NOT BE FLUSH WITH THE VERTICAL PANEL.

HOW TO FIX IT

- TO MOVE THE DOOR TOWARDS OR AWAY FROM THE HORIZONTAL PANELS, LOOSEN SCREWS "C". ADJUST THE DOOR AND THEN TIGHTEN SCREWS "C".

HORIZONTAL MOVEMENT



WHAT IT LOOKS LIKE

- THE DOOR WILL APPEAR TOO FAR OR TOO CLOSE FROM THE FRONT EDGE OF THE SIDE PANEL LEAVING A GAP BEHIND THE DOOR.

HOW TO FIX IT

- TO MOVE THE DOOR TOWARDS OR AWAY FROM THE UNIT, ADJUST SCREW "B" AND MOVE THE DOOR FORWARDS OR BACKWARDS UNTIL THERE IS AN EVEN GAP BETWEEN THE DOOR AND THE FRONT EDGE OF THE SIDE PANEL.

FURNITURE TIPPING RESTRAINT FOR CHASM SIDEBOARD

Young children may be injured by tipping furniture and the use of a tipping restraint is highly recommended.

When properly installed, this restraint could provide protection against the unexpected tipping of furniture due to small tremors, bumps or climbing. We recommend mounting this restraint to a wall stud.

WARNING: This product is only a deterrent. It is not a substitute for proper adult supervision.

TIPPING KIT CHECK LIST

CODE	COMPONENT	QTY
01	PLASTIC STRAP	2
02	SCREW	8
03	NYLON WALL PLUG	4
04	PLASTIC BRACKET	4

Installation Instruction:

1. Attach one of the plastic brackets (04) securely near the top back edge of the furniture piece by inserting the screw (02). Refer to picture A.
2. Determine the final position of the furniture piece. Mark location on the wall approximately 2" below the plastic bracket (04) mounted to the back of the furniture.
3. Drill a starter hole into the wall stud. If wall stud is not available, drill a hole into the wall and insert nylon wall plug (03). Gently tap plug until the flange of the plug is flush with the wall.
4. Attach a second plastic bracket (04) by inserting and securing the screw (02) to the wall. Refer to picture B.
5. Align the two plastic brackets (04).
6. Thread the plastic strap (01) through both plastic brackets (04) and tighten until snug.
7. Check to make sure that the plastic brackets (04) are firmly installed the plastic strap (01) is secure.
8. Repeat steps 1-7 at other end of furniture piece.

